

Resetable Switch Call Point Installation Manual

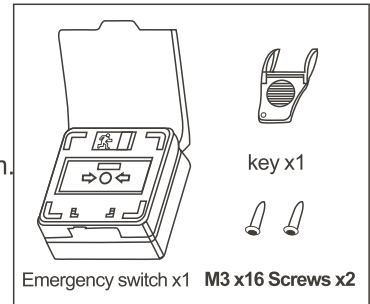
※ Features

- 1.Resettable design,obvious indicators around the edges of the unit.
 - 2.Press the pressing plate to enable the output function.
 - 3.Pressing plate with status (green and red) shown.
 - 4.Reversionary key with non-slip design.
 - 5.Input power range from DC12-24V to connect with all types of fire alarm system.
 - 6.Built-in buzzer status to set as silent, interval wailing or continuous wailing
Volume is adjustable.
 - 7.Easy to assemble, outer case without screws, 3 set of output points to connect other equipment, embedded or surface installations to select.
- Note: only has output point function.

※ Specifications

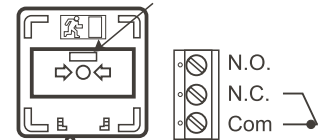
Item	Model	Parameters		Note
Power supply		DC 12V~DC 24V	×	±5 %
Operation current		DC 12V/18mA(Standby)/75mA(Operation)	×	±5 %
		DC 24V/11mA(Standby)/41mA(Operation)	×	±5 %
Buzzer		Set as silent,interval wailing or continuous wailing	×	
Indicator		Dual-colour (red and green). Red indicator to set blinking , off or on.	×	
Output		N.O. N.C.& COM.Output (Maximum load of 125V/3A)		
Weight		192g		
Dimensions		90mm(L)x93mm(W)x64mm(H)		
Material		ABS,PC(transparent part)		
Relay delay trigger time		1~60s		

※ Accessories



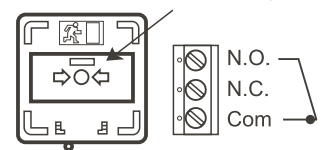
[Standby]

Status display:Green

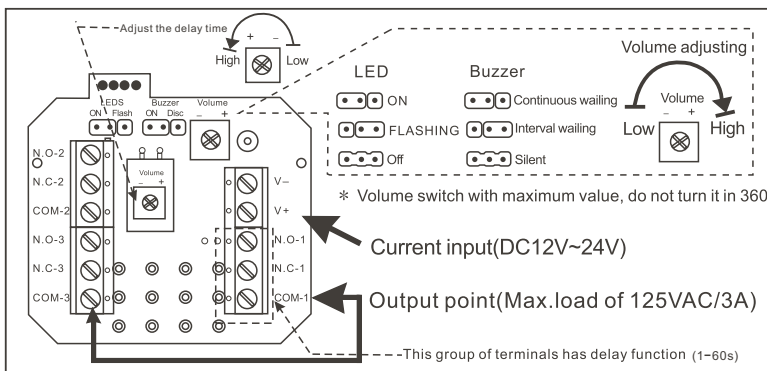


[Operation]

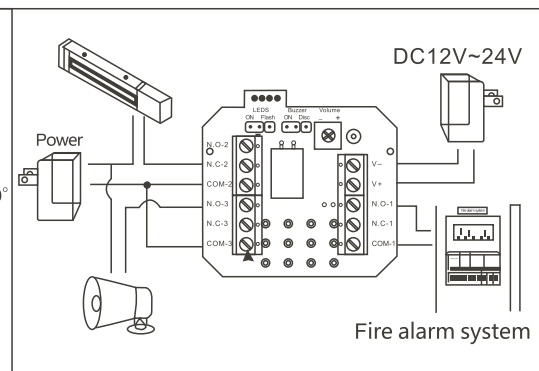
Status display:Red



※ Connections



※ Wiring Diagram



※ Attention before installation

⚠ Please press the pressing plate to make sure the indicator flag turns red before opening the front and middle covers in order to prevent the spring being popped out.

1 Press

2

▲ Fixed holes embedded box as 60mm.

60mm

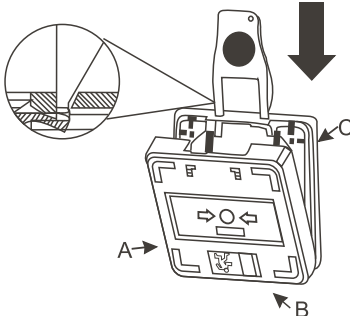
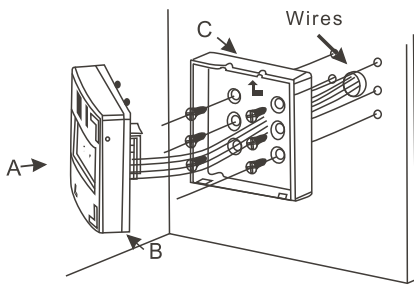
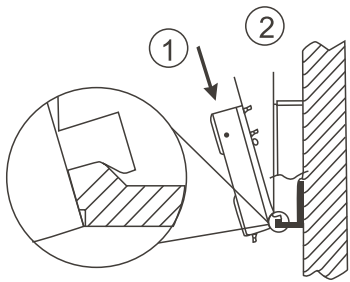
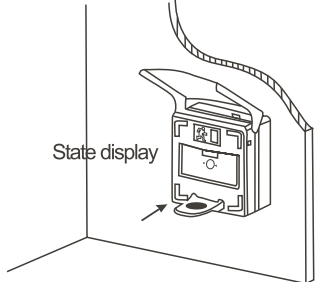
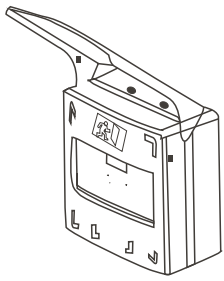
▲ Restricted terminal's aperture shown below.

φ2.5

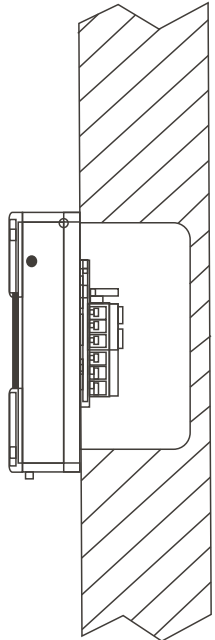
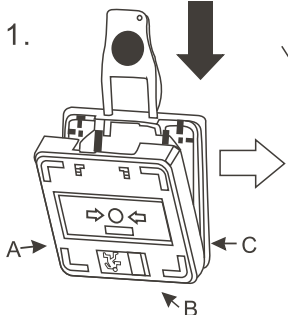
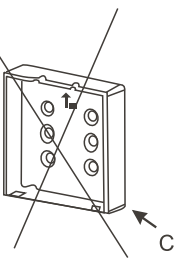
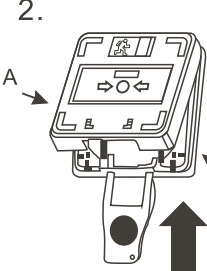
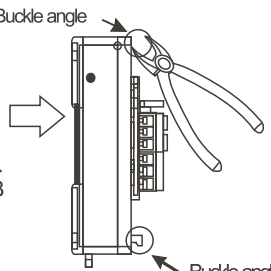
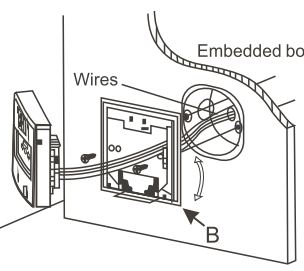
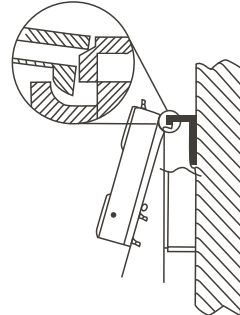
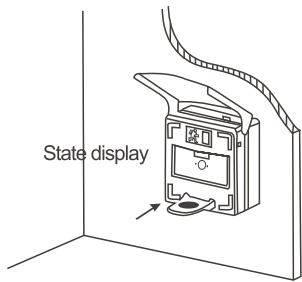
1.5

※ Installation

Surface Installation

Installation steps	<p>1.  Use key to disassemble B and C fastenings.</p> <p>2.  Fix bottom cover C and connect the wires</p> <p>3.  Fastening the unit as the diagram shown above.</p> <p>4.  Insert the key into the key hole. Pull the key out when the flag turns green to complete the setting.</p>
Completed	

Embedded Installation

<p>Installation steps</p> <p>Lateral view</p> 	<p>1.  Use key to disassemble B and C fastenings.</p> <p> No bottom cover C needed for embedded installation.</p> <p>2.  Use key to disassemble A and B fastenings.</p> <p> Clip the unnecessary buckle angles.</p> <p>3.  Fix middle cover B and connect the wires.</p> <p>4.  Fastening the unit as the diagram shown above.</p> <p>5.  Insert the key into the key hole. Pull the key out when the flag turns green to complete the setting.</p>
---	--