

User Guide

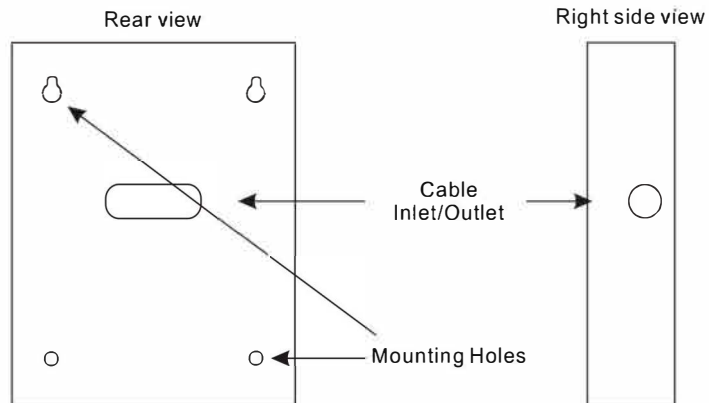
Model : SP-12V-3A

12V DC 3AMP SWITCH MODE UNINTERRUPTIBLE POWER SUPPLY

- Read carefully this user guide before activating and using.
- Use this equipment only for an indoor adapted application.
- Mounting, maintenance and repair must be carried on by a skilled and authorized staff.
- The activation is easy, but a correct handling and an appropriate maintenance are mandatory to keep the power supply working perfectly.

Mounting

The UPS must be mounted firmly and securely.

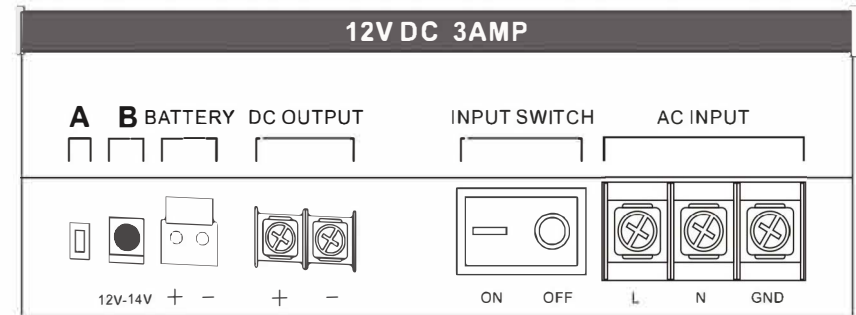


LED description

- ①Red ● AC POWER
- ②Green ● DC OUTPUT
- ③Amber ● BATTERY CHARGE
- ④Red ● BATTERY LOW VOLTAGE

Situation	①Red	②Green	●Amber	④Red
Battery in charging	on	on	flash	off
Battery in full charged	on	on	on	off
No AC, V-battery > 11±0.3V	off	on	on	off
No AC, 10±0.3V<V-battery<11±0.3V	off	on	on	on
No AC, V-battery < 10±0.3V	off	off	off	off

Terminal description



A: BATTERY ACTIVATION SWITCH

*Before connecting to AC power for the first time, this switch can be used for activating battery; After connecting to AC power, battery will be activated automatically in each AC power failure, without pushing this switch.

B: ADJUSTABLE OUTPUT VOLTAGE

*Based on the premise that the load can work normally, output voltage regulation is suggested between 13.8V to 14.0V. Battery can be fully charge and prolong the service life under this situation.

Main specification

AC supply: 100-240V AC 50/60Hz
 Output voltage --
 on mains power: 12.0V-14.0V DC adjustable
 on battery standby: 10.0V-12.5V DC
 Max. Output current: 3.0Amp
 Max. Charge current: 0.8Amp
 Recommended battery: 12V , 7Ah
 Operation temperature: -20~+45 Degree Celsius
 Humidity: Up to 90% non-Condensing

Protection

Over-voltage protection
 Over-current protection
 Short circuit protection
 Over charge protection
 Over discharge protection
 Self-recovery when fault condition remove

Caution

- Make sure the power supply input voltage and the local grid voltage matching before using.
- The UPS is to be installed in a controlled environment, make sure the power supply is well ventilated.
- It is mandatory to ground the power supply.
- Improper storage and installation environment may deteriorate insulation, shorten components life and cause malfunctions.

Distributor: Stonehouse Security AB

Web: www.stonehouse.se



All content, specifications and availability subject to change without prior notice.

User Guide

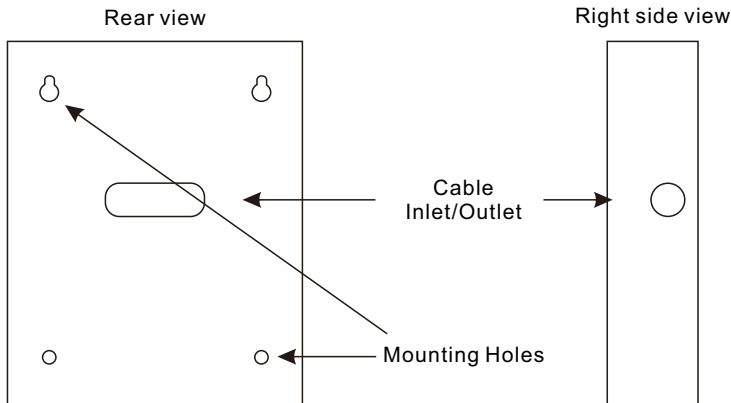
Model : SPF-12V-3A

12V DC 3AMP 4WAY UPS FOR CCTV CAMERAS

- Read carefully this user guide before activating and using.
- Use this equipment only for an indoor adapted application.
- Mounting, maintenance and repair must be carried on by a skilled and authorized staff.
- The activation is easy, but a correct handling and an appropriate maintenance are mandatory to keep the power supply working perfectly.

Mounting

The UPS must be mounted firmly and securely.

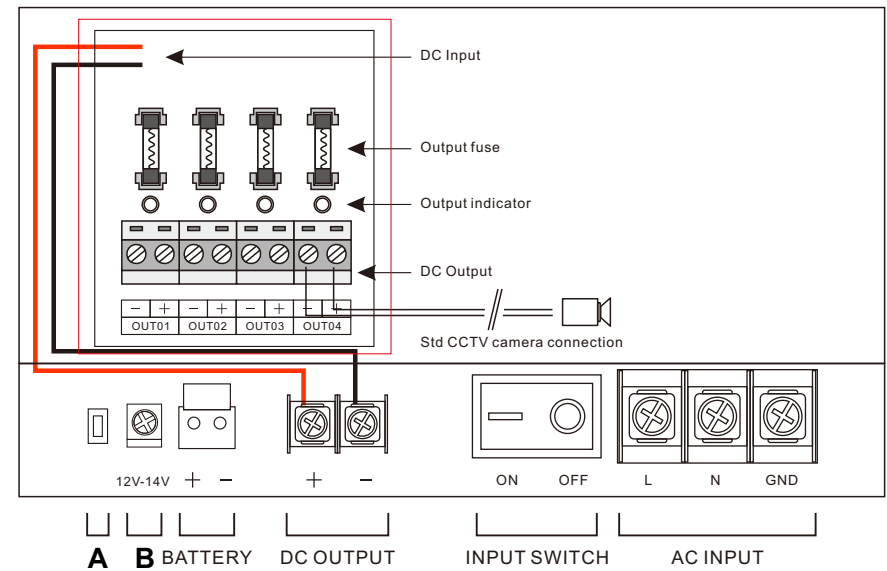


LED description

- ① Red ● AC POWER
- ② Green ● DC OUTPUT
- ③ Amber ● BATTERY CHARGE
- ④ Red ● BATTERY LOW VOLTAGE

Situation	① Red	② Green	③ Amber	④ Red
Battery in charging	on	on	flash	off
Battery in full charged	on	on	on	off
No AC, V-battery > 11±0.3V	off	on	on	off
No AC, 10±0.3V < V-battery < 11±0.3V	off	on	on	on
No AC, V-battery < 10±0.3V	off	off	off	off

Terminal description



A: BATTERY ACTIVATION SWITCH

*Before connecting to AC power for the first time, this switch can be used for activating battery; After connecting to AC power, battery will be activated automatically in each AC power failure, without pushing this switch.

B: ADJUSTABLE OUTPUT VOLTAGE

*Based on the premise that the load can work normally, output voltage regulation is suggested between 13.8V to 14.0V. Battery can be fully charge and prolong the service life under this situation.

Main specification

AC supply: 100-240V AC 50/60Hz
 Output voltage --
 on mains power: 12.0V-14.0V DC adjustable
 on battery standby: 10.0V-12.5V DC
 Max. Output current: 3.0Amp
 Max. Charge current: 0.8Amp
 Output fuse: 1.5A 250V
 Recommended battery: 12V , 7Ah
 Operation temperature: -20~+45 Degree Celsius
 Humidity: Up to 90% non-Condensing

Protection

Over-voltage protection
 Over-current protection
 Short circuit protection
 Over charge protection
 Over discharge protection
 Self-recovery when fault condition remove

Caution

- Make sure the power supply input voltage and the local grid voltage matching before using.
- The UPS is to be installed in a controlled environment, make sure the power supply is well ventilated.
- It is mandatory to ground the power supply.
- Improper storage and installation environment may deteriorate insulation, shorten components life and cause malfunctions.

Distributor: Stonehouse Security AB

Web: www.stonehouse.se



User Guide

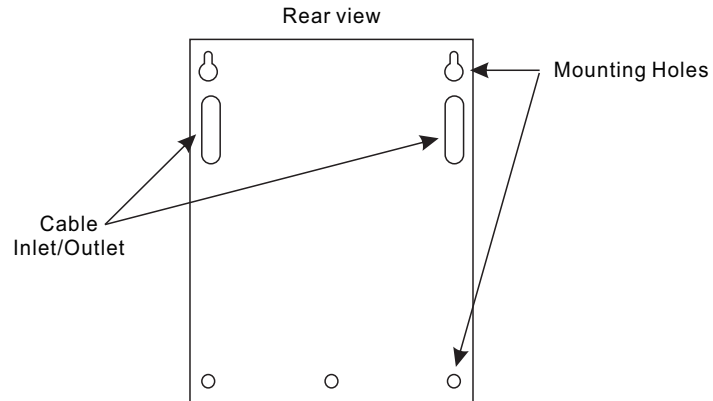
Model : BB-12V-3A

12V DC 3AMP SWITCH MODE UNINTERRUPTIBLE POWER SUPPLY

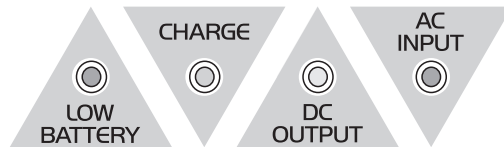
- Read carefully this user guide before activating and using.
- Use this equipment only for an indoor adapted application.
- Mounting, maintenance and repair must be carried on by a skilled and authorized staff.
- The activation is easy, but a correct handling and an appropriate maintenance are mandatory to keep the power supply working perfectly.

Mounting

The UPS must be mounted firmly and securely.

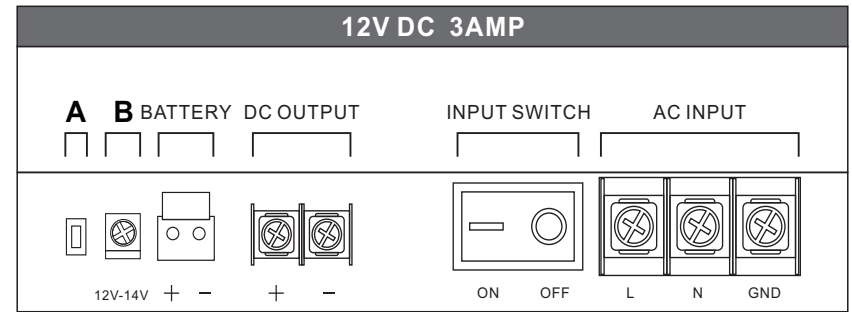


LED description



Situation	Red	Amber	Green	Red
Battery in charging	off	flash	on	on
Battery in full charged	off	on	on	on
No AC, V-battery > 11±0.3V	off	on	on	off
No AC, 10±0.3V<V-battery<11±0.3V	on	on	on	off
No AC, V-battery < 10±0.3V	off	off	off	off

Terminal description



A: BATTERY ACTIVATION SWITCH

*Before connecting to AC power for the first time, this switch can be used for activating battery; After connecting to AC power, battery will be activated automatically in each AC power failure, without pushing this switch.

B: ADJUSTABLE OUTPUT VOLTAGE

*Based on the premise that the load can work normally, output voltage regulation is suggested between 13.8V to 14.0V. Battery can be fully charge and prolong the service life under this situation.

Main specification

AC supply: 100-240V AC 50/60Hz
 Output voltage --
 on mains power: 12.0-14.0V DC adjustable
 on battery standby: 10.0-12.5V DC
 Max. Output current: 3.0Amp
 Max. Charge current: 0.8Amp
 Recommended battery: 12V , 7Ah
 Operation temperature: -20 ~ +45 Degree Celsius
 Humidity: Up to 90% non-Condensing

Protection

Over-voltage protection
 Over-current protection
 Short circuit protection
 Over charge protection
 Over discharge protection
 Self-recovery when fault condition remove

Caution

- Make sure the power supply input voltage and the local grid voltage matching before using.
- The UPS is to be installed in a controlled environment, make sure the power supply is well ventilated.
- It is mandatory to ground the power supply.
- Improper storage and installation environment may deteriorate insulation, shorten components life and cause malfunctions.

Distributor: Stonehouse Security AB

Web: www.stonehouse.se



All content, specifications and availability subject to change without prior notice.

User Guide

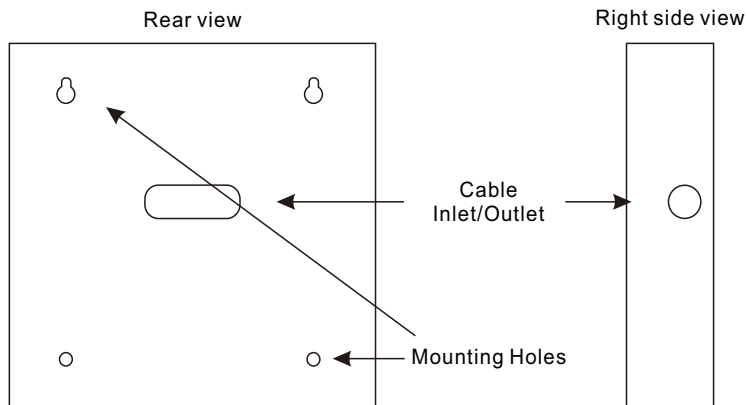
Model : SP-24V-5A

24V DC 5AMP SWITCH MODE UNINTERRUPTIBLE POWER SUPPLY

- Read carefully this user guide before activating and using.
- Use this equipment only for an indoor adapted application.
- Mounting, maintenance and repair must be carried on by a skilled and authorized staff.
- The activation is easy, but a correct handling and an appropriate maintenance are mandatory to keep the power supply working perfectly.

Mounting

The UPS must be mounted firmly and securely.

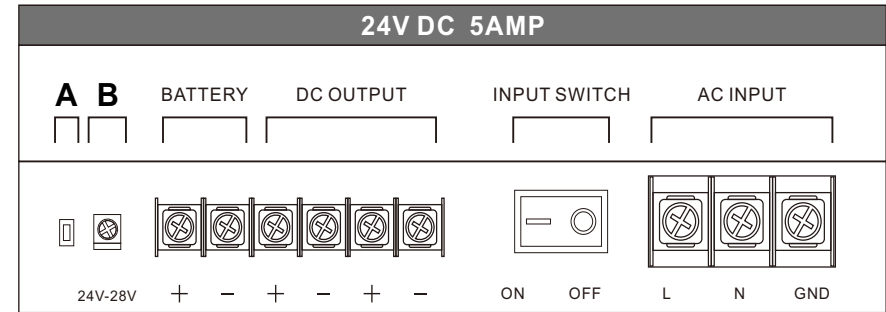


LED description

- ① Red ● AC POWER
- ② Green ● DC OUTPUT
- ③ Amber ● BATTERY CHARGE
- ④ Red ● BATTERY LOW VOLTAGE

Situation	① Red	② Green	③ Amber	④ Red
Battery in charging	on	on	flash	off
Battery in full charged	on	on	on	off
No AC, V-battery > 22±0.3V	off	on	on	off
No AC, 21±0.3V < V-battery < 22±0.3V	off	on	on	on
No AC, V-battery < 21±0.3V	off	off	off	off

Terminal description



A: BATTERY ACTIVATION SWITCH

*Before connecting to AC power for the first time, this switch can be used for activating battery; After connecting to AC power, battery will be activated automatically in each AC power failure, without pushing this switch.

B: ADJUSTABLE OUTPUT VOLTAGE

*Based on the premise that the load can work normally, output voltage regulation is suggested between 26.5V to 28.0V. Battery can be fully charge and prolong the service life under this situation.

Main specification

AC supply: 190-240V AC 50/60Hz
 Output voltage --
 on mains power: 24.0V-28.0V DC adjustable
 on battery standby: 20.6V-26.0V DC
 Max. Output current: 5.0Amp
 Max. Charge current: 1.0Amp
 Recommended battery: 12V , 7Ah *2 Series
 Operation temperature: -20~+45 Degree Celsius
 Humidity: Up to 90% non-Condensing

Protection

- Over-voltage protection
- Over-current protection
- Short circuit protection
- Over charge protection
- Over discharge protection
- Self-recovery when fault condition remove

Caution

- Make sure the power supply input voltage and the local grid voltage matching before using.
- The UPS is to be installed in a controlled environment, make sure the power supply is well ventilated.
- It is mandatory to ground the power supply.
- Improper storage and installation environment may deteriorate insulation, shorten components life and cause malfunctions.

Distributor: Stonehouse Security AB

Web: www.stonehouse.se



All content, specifications and availability subject to change without prior notice.