

# ACUMAX® sealed maintenance-free lead-acid battery AML series



## AML 65-12

- uninterruptible power supplies
- telecom power supply systems
- telecommunication PABX
- power station
- fire and security systems
- solar powered systems
- emergency lighting systems
- cable TV

### Technical data

Nominal voltage	12 V
Nominal capacity	65 Ah/ C <sub>20</sub>
Design life	8 years @ 25°C 10-12 years @ 20°C according to Eurobat, Long Life group
Weight	~ 20.9 kg
Dimensions	
Height	179 mm
Length	350 mm
Width	167 mm
Internal resistance	≤ 7.0 mΩ
Charging voltage @ 25°C	
Standby use	13,65 V ± 0.18 V
Cycle use	14,70 V ± 0.30 V
Charging current	
Recommended	6.5 A
Maximum	19.5 A
Max. discharge current (5s)	780 A
Container material	
Standard	ABS UL 94-HB
Optional (Flame-retardant)	ABS UL 94-V0

Battery approved for transportation by air, sea or land. Classified as non-hazardous material: IATA/ICAO Special Provision A67, DOT-CFR Title 49 parts 171-189, IMDG amendment 27.

### Constant current discharge (Current [A], 25 [°C] / 77 [°F])

U <sub>f</sub> [V/cell]	Discharge time												
	5 min	10 min	15min	20 min	30 min	1h	2h	3h	4h	5h	8h	10h	20h
<b>1,80</b>	151	123	100	82,5	63,6	38,5	24,3	17,0	13,6	11,3	7,73	6,43	3,35
<b>1,75</b>	177	135	109	89,3	68,5	41,5	24,8	17,3	13,8	11,5	7,87	6,54	3,40
<b>1,70</b>	208	149	116	92,5	71,5	42,5	25,0	17,5	13,9	11,6	7,92	6,58	3,41

### Constant power discharge (Power [W/cell], 25 [°C] / 77 [°F])

U <sub>f</sub> [V/cell]	Discharge time												
	5 min	10 min	15min	20 min	30 min	1h	2h	3h	4h	5h	8h	10h	20h
<b>1,75</b>	338	251	207	171	134	82,3	49,0	34,0	27,5	23,1	15,8	13,2	6,86
<b>1,70</b>	392	274	215	173	138	83,7	49,5	34,3	27,7	23,2	15,9	13,2	6,87
<b>1,67</b>	402	282	218	180	141	84,0	49,7	34,5	27,8	23,3	16,0	13,3	6,89

U<sub>f</sub> - Final voltage



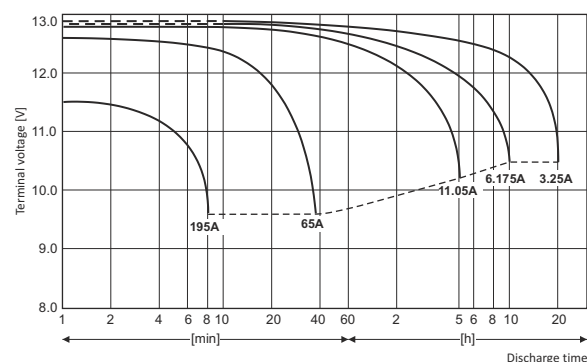
ACUMAX®

Change no: 6/2017.11

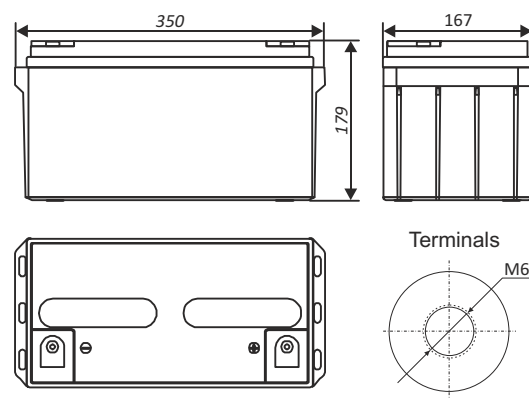
### Main applications

- marine
- golf-carts, wheelchairs
- mobile and portable equipment
- medical equipment

### Discharge characteristics



### Dimensions



Tolerance: + 2mm/- 1mm;