

IU 300

Interface unit
for GD 335 and GD 375

Technical data

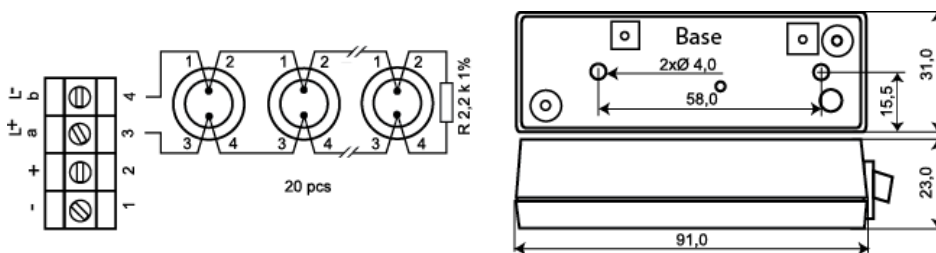
Approvals	EN 50131-1, VDS G194021 class C
Supply voltage	9-15 VDC / 18-30 VDC
Current consumption	10 mA (16-28 mA alarm)
Alarm output	Relay, NC
Contact rating	35 VDC / 100 mA
Tamper protection	Yes
Alarm reset	Voltage breaking / Control input / Manual
Connection	Screw terminals
Housing material	ABS Plastic or Metal
Operating temperature range	-40°C - +70°C
Housing protection class	IP 41
Dimensions (L x W x H) mm	92 x 31 x 23
Grade	2



The IU 300 is an analyser and relay unit, used to connect the GD 335 and GD 375 glass break detectors to a control panel. Up to 20 detectors can be connected to the device.

IU 300 monitors resistance changes in a balanced circuit. It is possible to program it for either manual reset (Latch) or auto-reset after two seconds.


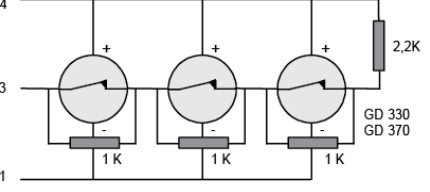
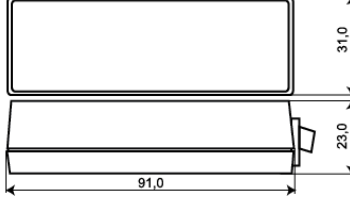

Note: An alarm from a single detector activates the alarm relay on the unit.



ORDERING INFORMATION

Model	Description
IU 300	Analyser unit for GD 335 / GD 375, white plastic housing
IU 300-M	Analyser unit for GD 335 / GD 375, grey metal housing

Related products and accessories

 A white plastic interface unit with a purple terminal block on top and a metal housing on the bottom. The unit is shown in two views: one with the top cover on and one with it off.	<p>IU 370</p> <p>Interface unit for GD 330/ GD 370/ GD 470</p>	 A circuit diagram showing three relays connected in parallel between terminals 3 and 4. Each relay has a 1K resistor in series with its coil. A 2.2K resistor is connected between terminals 3 and 4. The relays are labeled GD 330 and GD 370. Terminals 1 and 2 are also shown.	 A technical drawing showing the dimensions of the IU 370 unit. The length is 91.0, the height is 31.0, and the depth is 23.0.
 A white metal housing for the IU 370 unit, shown in a perspective view.	<p>MH 300</p> <p>Metal Housing for IU 300 and IU 370</p>		